

BRUNO OUTDOOR ELITE



Access to the Great Outdoors!

Access to your home from an exterior staircase is no longer a problem. The Bruno Outdoor Elite is now the leading outdoor stairlift. This remarkable stairlift provides you with the quality, comfort, and dependability you desire. The standard options on this attractive stairlift will surprise and please you.

Built in Wisconsin and tested in all types of weather, the Outdoor Elite is reliable, safe, durable and designed to withstand the elements. An outdoor stairlift of this quality allows you to navigate the stairs outside your home with confidence and ease – any time of year!

With innumerable uses – from your front door to the sidewalk or your cabin door to the boathouse – this outdoor stairlift offers unique mobility. Only a home stairlift designed like this one can extend your independence safely and securely outside your home. Not all chairlifts are created equally.



Features

- Specifically designed for exterior use, providing you with the same quality, comfort and convenience available in Bruno's complete line of straight rail and curved rail stairlifts
- Durable, powder coat outdoor paint that protects all steel surfaces
- Clear anodized aluminum rail
- Seat cushions made from exterior marine-grade vinyl
- Tested for use in weather temperatures ranging from 0°F to 125°F (-15°C to 52°C)
- Innovative weather resistant cover system travels with the chair and provides protection from the elements when the stairlift is not in use.
- 400 lbs weight capacity
- Direct drive motor/gear box – no belts for reduced maintenance
- Remarkable stability through the improved clamping and rail design
- A vertical, straight rail that installs to within inches from the edge of the staircase – family members and guests will have no problem using the stairs
- Visual diagnostics for instant unit status
- Two 12-volt batteries – continuously powered from any household outlet – provide dependable performance, even during power outages
- Arms, seat and footrest flip up creating plenty of space for family or guests to walk up and down the stairs
- Generous seat size with adjustable width arm rests and multiple seat heights
- An offset swivel seat makes the entry and exit position at the top landing safe and easy
- Extended rail lengths available



Superior Styling

Performance

The Outdoor Elite is specifically designed for exterior use, providing you with the same quality, comfort and convenience available with Accessible Systems's complete line of straight rail and curved rail stairlifts. Accessible Systems dependability built in!

Refinement

The Outdoor Elite represents more than a decade of research and engineering. With a honeycomb rail design for improved stability, and visual coded diagnostics to instantly analyze the unit's operational status, the Outdoor Elite is the perfect example of form and function.

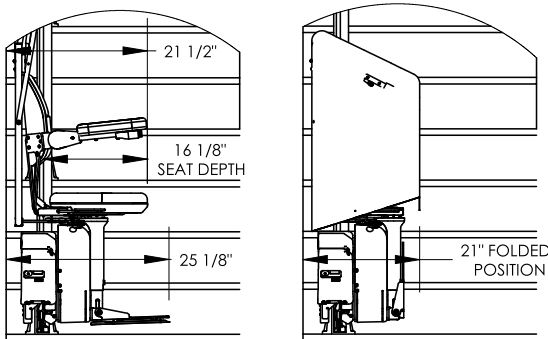
Quality Craftsmanship

Safety

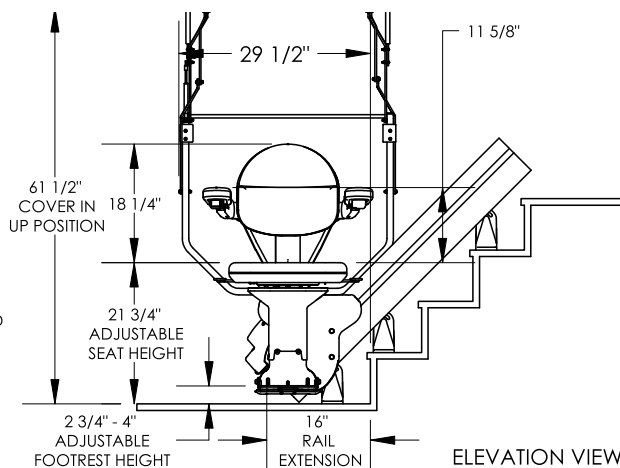
With a rated weight capacity of 400 lbs (181 kg) and sensors that detect any obstacles on the stairs, the Outdoor Elite moves up and down your exterior stairs with power and efficiency. The offset swivel seat makes the entry and exit at the top landing safer and easier than ever.

Reliable

Equipped with two 12-volt batteries powered by a small, unobtrusive battery charger that requires no special electrical wiring, the Outdoor Elite provides uninterrupted performance, even during a temporary failure of electrical service to your home.



SIDE VIEWS



ELEVATION VIEW



Accommodates riders up to 400lb

BRUNO OUTDOOR ELITE CURVED



Outdoor Elite Curved Rail

The Bruno Outdoor Elite Curved rail stairlift is specifically designed for exterior use. It is custom made for you with the same care as Bruno's complete line of stairlifts.

With a rail design for improved stability, and visual coded diagnostics to instantly analyze the unit's operational status, the Outdoor Elite Curve is the perfect example of form and function.

The Outdoor Elite Curve moves up and down your exterior stairs with power and efficiency. The offset swivel seat makes the entry and exit at the top landing safer and easier than ever.



A weather-resistant cover is secured in a convenient pouch beneath the seat when cover is not being used.

Features

- Specifically designed for exterior use, providing you with the same quality, comfort and convenience available in Bruno's complete line of straight rail and curved rail stairlifts
- Durable, powder coat outdoor paint that protects all steel surfaces
- Seat cushions made from exterior marine-grade vinyl
- Tested for use in weather temperatures ranging from 0°F to 125°F (-15°C to 52°C)
- 400 lbs weight capacity
- Direct drive motor/gear box – no belts for reduced maintenance
- Remarkable stable ride from top to bottom
- Weather resistant cover provides protection from the elements when not in use and can be stored in a pouch conveniently located under the seat during operation
- Two 12-volt batteries – continuously powered from any household outlet – provide dependable performance, even during outages
- Arms, seat and footrest flip up creating plenty of space for family or guests to walk up and down the stairs
- Generous seat size with adjustable width arm rests and multiple seat heights
- An offset swivel seat makes the entry and exit position at the top landing safe and easy



Accommodates
riders up to
400lb

FINANCING AVAILABLE!

MADE IN USA



Superior Styling

Performance

The Bruno Outdoor Elite is designed to be tough but we haven't sacrificed comfort or design. This attractive stairlift will stand up to weather and carry you to your home in style.

Refinement

The Bruno Outdoor Elite Curve represents more than a decade of research and engineering. With a rail design for improved stability, and visual coded diagnostics to instantly analyze the unit's operational status, the Bruno Outdoor Elite Curve is the perfect example of form and function.

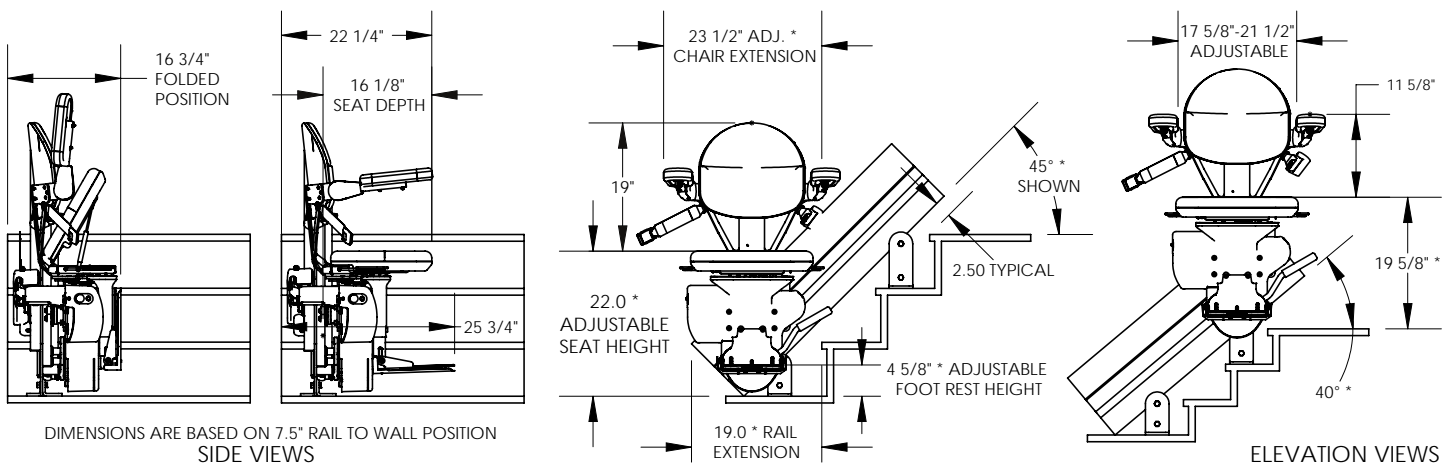
Quality Craftsmanship

Safety

With a rated weight capacity of 400 lbs (181 kg) and sensors that detect any obstacles on the stairs, the Bruno Outdoor Elite Curve moves up and down your exterior stairs with power and efficiency. The offset swivel seat makes the entry and exit at the top landing safer and easier than ever.

Reliable

Equipped with two 12-volt batteries powered by a small, unobtrusive battery charger that requires no special electrical wiring, the Bruno Outdoor Elite provides uninterrupted performance, even during a temporary failure of electrical service to your home.



Share It Forward: Please Help Others Discover Accessibility

How hard was it for you to find Accessible Systems and your accessible home options? Most of our customers have a very difficult time finding accessible solutions for their home.

- Will you help your friends and family discover accessible options for their home?
- Will you share it forward to the people you know so they learn about their options to remain in the home they love?
- Will you share it forward by showing your home to your friends/visitors and in social media?

You will help others maintain their independence and freedom, prevent falls and injuries, and plan ahead to enjoy their home forever. Please give away this catalog or go to www.shareitforward.info to order a FREE catalog and help someone else.



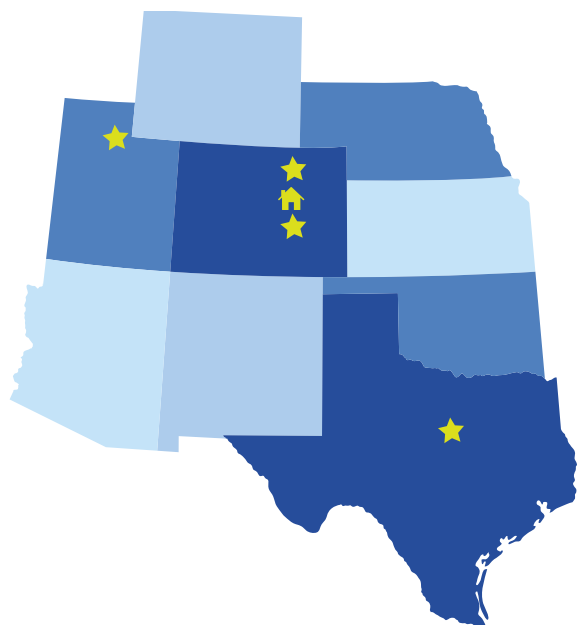
Visit: www.shareitforward.info

Free Home Evaluation and Design Consultation



Invite us to your home and receive a free evaluation and guide to making your home accessible. Our team is certified and experienced with many options to show you. We will evaluate your entrances, living areas, bathrooms, bedrooms, and levels in your home and provide a customized plan that includes a hassle free pricing. **Call us at 888-276-4436**

Locations



Denver, Colorado – Showhome

3025 West Jefferson Ave.
Englewood, CO 80110
Phone: 303.693.7787

Northern CO & WY

2725 11th Street Rd.
Greeley, CO 80634
Phone: 970.475.1880

Colorado Springs, CO

1880 Office Club Pointe
Colorado Springs, CO 80920
Phone: 719.387.0675

Utah

669 N 1000 W,
Centerville, UT 84014
Phone: (801) 721-1614

Dallas, TX

2131 N. Collins St
Suite 433-628
Arlington, TX 76011
Phone: 972.408.3335

Website: www.accessiblemed.com | (888) 276-4436

