



## Safety First

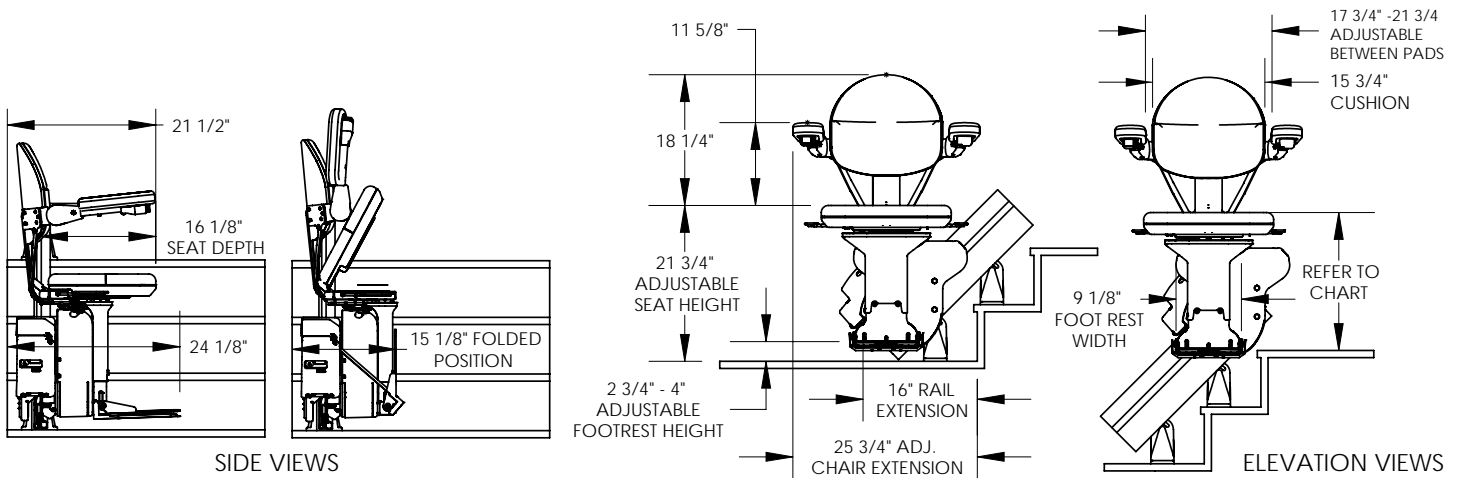
With a weight capacity of 400 lbs, and sensors that detect any obstacles on the stairs, the Bruno Elite moves up and down your staircase with power and efficiency. The offset swivel seat makes the entry and exit position at the top landing safer and easier than ever.

## Reliable

The Bruno Elite is equipped with two 12-volt batteries powered by a small charger that plugs into a standard outlet. Even during a temporary power outage you will enjoy uninterrupted performance from your stairlift.

## Features

- The offset swivel seat makes the entry and exit position at the top landing easy and safe
- Safety sensors on the footrest and carriage will safely stop you if you encounter the slightest obstacle
- Continuous charge strips along the entire rail mean the unit will be charged wherever it stops on the staircase
- The two wireless call/send controls make installation simple and clean with no wires running along the wall





## Optional Choices

### Larger Seat Option

Measuring 21.5" (546 mm) in width between the armrests, the larger seat option also features additional seat depth for added comfort and complete support.

- **Standard seat pad** 17.5" (445 mm) wide x 15" (381 mm) deep
- **Larger seat pad** 21.5" (546 mm) wide x 16" (406 mm) deep

### Larger Footrest Option

If an occupant is taller than average or has difficulty bending their knees, the additional 2" (51 mm) in length and width can make all the difference in the world.

- **Standard footrest size** 10" (254 mm) long x 9" (229 mm) wide
- **Larger footrest size** 12" (305 mm) long x 11" (279 mm) wide

### Upholstery Selections

Comes in the original Tan Standard Vinyl or your choice of the following 9 colors:

Brown Deluxe	Dark Brown Deluxe	Burgundy Leather	Maroon Vinyl	Olive Vinyl
Grey Deluxe	Burgundy Deluxe	Charcoal Vinyl	Light Brown Vinyl	Tan Standard Vinyl



Accommodates riders up to 400lb

### Power Swivel Seat

For a confident and easy exit at the top landing, the Bruno Elite offers an optional power swivel action. Controlled by the up/down rocker switch or by the call/send transmitters, the seat can turn up to 90° with a steady, fluid movement. The rider will exit with improved stability and minimum effort.

### Manual or Power Folding Rails

If you have a narrow hallway or doorway at the bottom of your stairs, the optional folding rail is the ideal solution. The folding rail can be ordered for feather-light manual operation or push button automatic power operation. A third charging station allows you to charge the unit when the rail is folded.

### Power Folding Footrest

For your convenience the foot rest can be automated. When the seat is raised the footrest will automatically flip up. When the seat is lowered the footrest will automatically flip down. This simple and efficient feature will help people with back issues or other mobility challenges.

# Share It Forward: Please Help Others Discover Accessibility

How hard was it for you to find Accessible Systems and your accessible home options? Most of our customers have a very difficult time finding accessible solutions for their home.

- Will you help your friends and family discover accessible options for their home?
- Will you share it forward to the people you know so they learn about their options to remain in the home they love?
- Will you share it forward by showing your home to your friends/visitors and in social media?

You will help others maintain their independence and freedom, prevent falls and injuries, and plan ahead to enjoy their home forever. Please give away this catalog or go to [www.shareitforward.info](http://www.shareitforward.info) to order a FREE catalog and help someone else.



Visit: [www.shareitforward.info](http://www.shareitforward.info)

## Free Home Evaluation and Design Consultation



Invite us to your home and receive a free evaluation and guide to making your home accessible. Our team is certified and experienced with many options to show you. We will evaluate your entrances, living areas, bathrooms, bedrooms, and levels in your home and provide a customized plan that includes a hassle free pricing. **Call us at 888-276-4436**

## Locations



### Denver, Colorado – Showhome

3025 West Jefferson Ave.  
Englewood, CO 80110  
Phone: 303.693.7787

### Northern CO & WY

2725 11th Street Rd.  
Greeley, CO 80634  
Phone: 970.475.1880

### Colorado Springs, CO

1880 Office Club Pointe  
Colorado Springs, CO 80920  
Phone: 719.387.0675

### Utah

669 N 1000 W,  
Centerville, UT 84014  
Phone: (801) 721-1614

### Dallas, TX

2131 N. Collins St  
Suite 433-628  
Arlington, TX 76011  
Phone: 972.408.3335

Website: [www.accessiblemed.com](http://www.accessiblemed.com) | (888) 276-4436

