

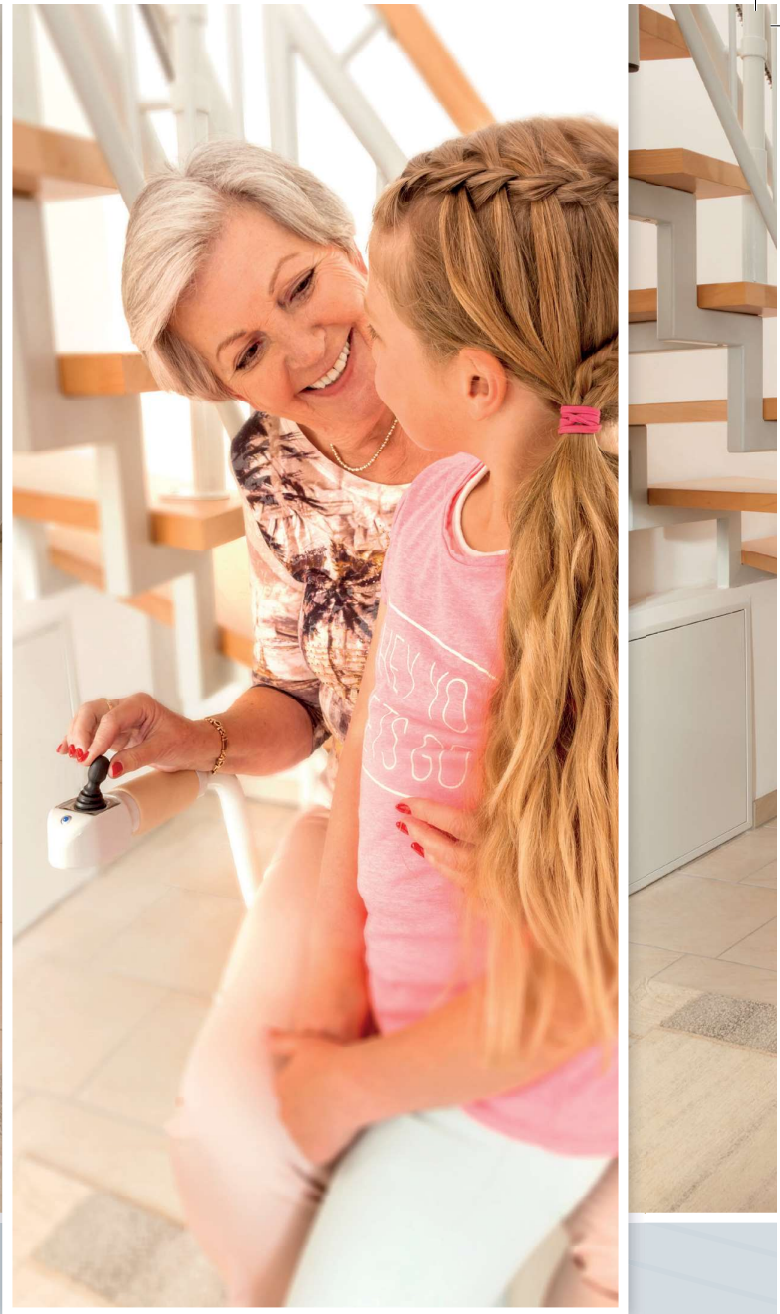
**PRECISION  
STAIRLIFTS**

*Better By Design...*

**More mobility...  
More joy of living**

**HAWLE**  
MOBILITY®





## **HAWLE MOBILITY® – no barriers in everyday life.**

Regain your mobility and remain in your home.

Hawle offers individual solutions for all Indoor and Outdoor curved staircases.

HAWLE stairlifts are produced according to German engineering and manufacturing standards. This guarantees a high level of quality which will surpass your expectations and will give you a feeling of safety and confidence while using your Hawle stairlift.



Lift color: RAL 9018 papyrus white, upholstery: leather beige P1

The Hawle stairlift can be equally well installed in both old and new buildings, even for steep stairs with a gradient of up to 75°. Rails can be installed on either side of a curved stairway.

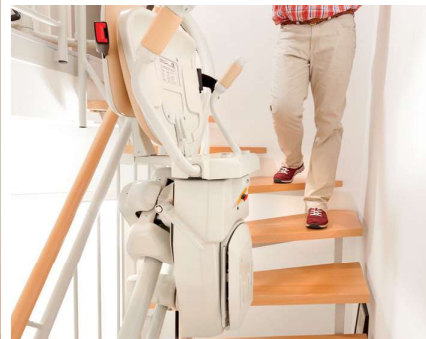
Once installed your Hawle stairlift offers daily comfort and space-saving parking even in exceedingly narrow spaces. When the lift is not in use just fold it up with minimum space requirements.

## Individualized stairlifts for individual homes.

Content customers all over the world encourage Hawle in their daily effort to help people regain a better quality of life.

When you buy a Hawle product, you are buying **QUALITY – stairlifts that are built to last.**

Precision Stairlifts and Hawle will be here to support you after your purchase. We guarantee that your service needs will be met quickly and handled by friendly and qualified technical staff.







*Subject to technical alterations.*

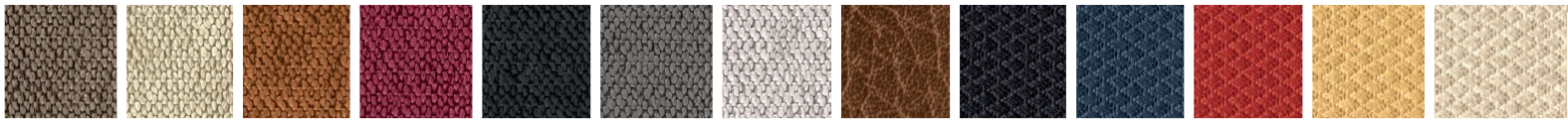
## 3 seat varieties – you have the choice!

We offer our stairlifts with a standard fixed seat (not pivotable), a manual swivel seat or even a powered swivel seat to accommodate your needs and preferences.



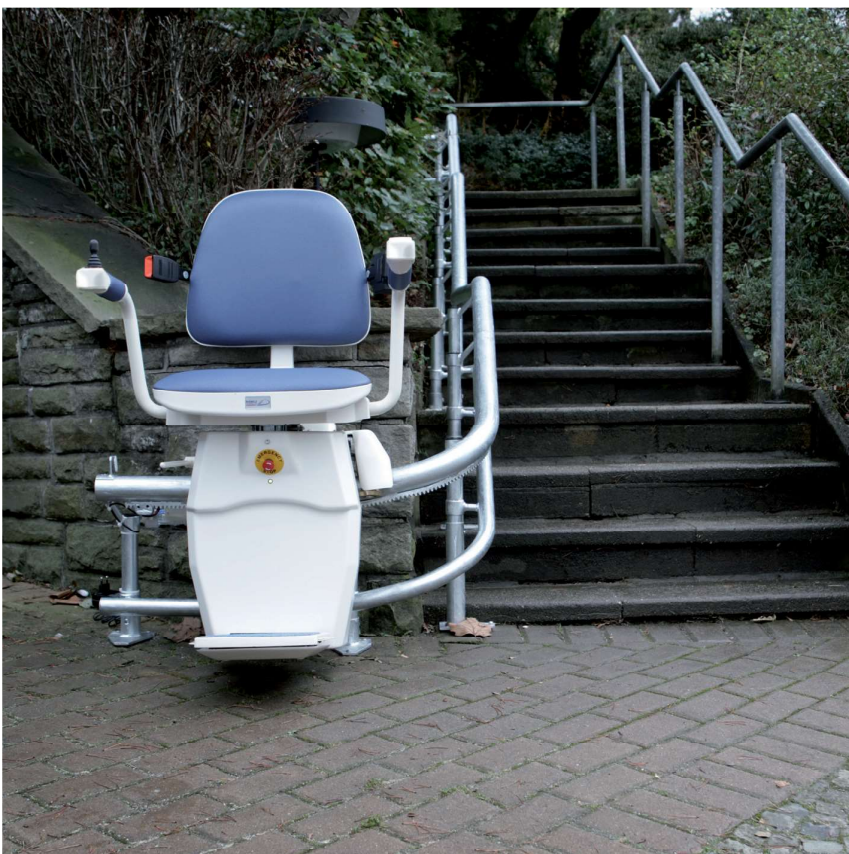
## HAWLE STAIRLIFT HW 10 & HW 11 – powerful and reliable.

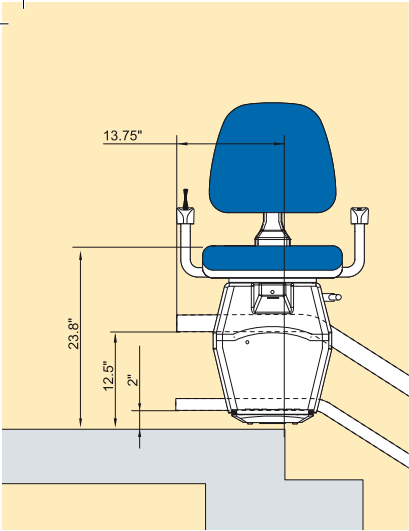
In designing the Hawle stairlifts we do not compromise in convenience, practicality and safety. The innovative construction and the materials used ensure that a maximum of quality and reliability is being realized.



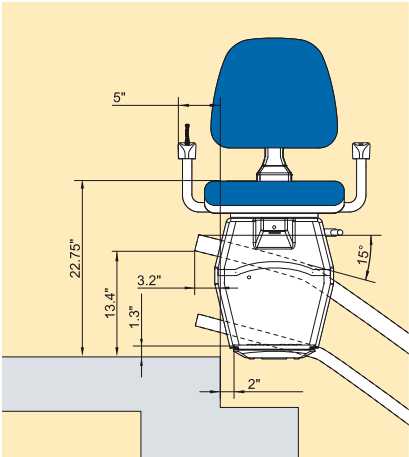
*Upholstery Color Samples: Subject to color variations.*

Customize your Hawle stairlift to your personal home. A variety of colors are possible. The seat upholsteries are made of synthetics, velour or leather. We offer only quality materials that are easy to clean.

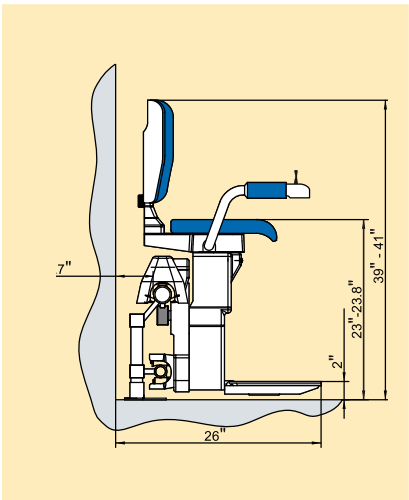




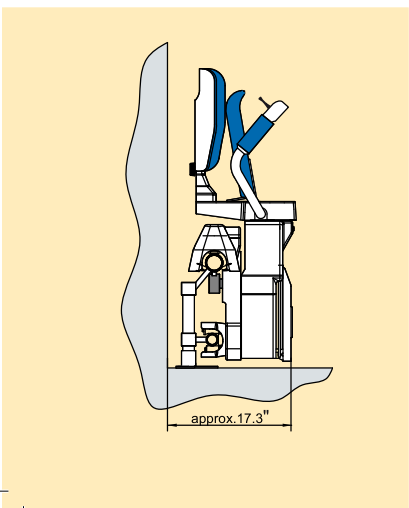
Standard horizontal finish parking position



Incline finish with optional swivel seat



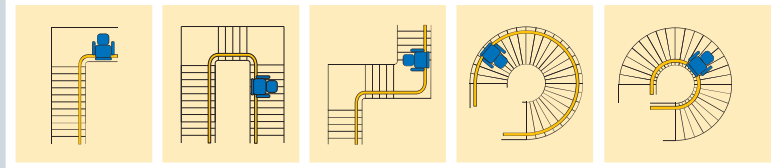
Dimensions of stairlift in unfolded park position



The stairlift can be folded away to only 17.3"

Subject to technical alterations and color variations.

gradient up to **75°**



Illustrations show standard situations. Real measurements depend on local circumstances.



Specifications

Minimum Staircase Width	30 inches
Rail to Wall Distance (Incl. Rail)	6.3 inches
Material of Rail	Steel
Diameter of Tube (Upper/Lower)	2.2 inches/1.6 inches
Maximum Rail Length	131 feet
Min. Space for Rail Start	13.4 inches
Rail Fixing	Every 3rd and 5th stair
Wall Fixing	Optional
Radius of Curve (Depends on Incline)/ 180° (Outside)	0° 7.87 inches 15° 7.1 inches 30° 5.8 inches 50° 3.8 inches
Maximum Incline	75° Gradient
Driving Speed	19.68 feet/minute
Lifting Capacity	350 lbs.
Power Supply	110 Volt
Battery	24 V (2)
Drive	Gear Rack

Your HAWLE Stairlifts Sales Partner:



[www.precisionstairlifts.com](http://www.precisionstairlifts.com)

Better By Design...

